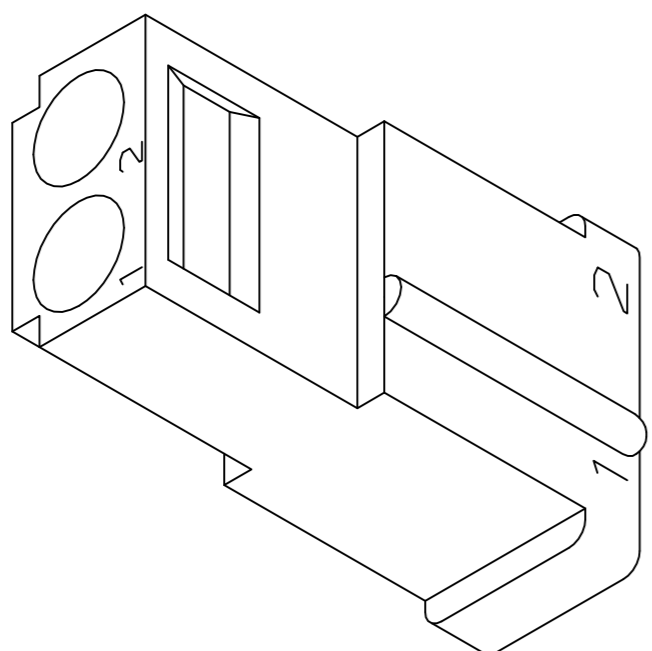
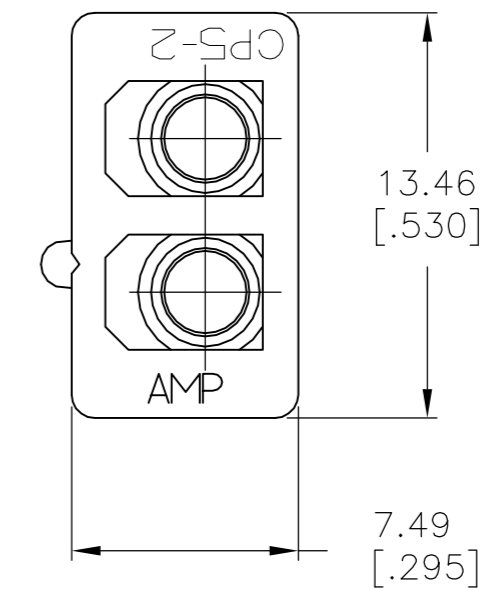
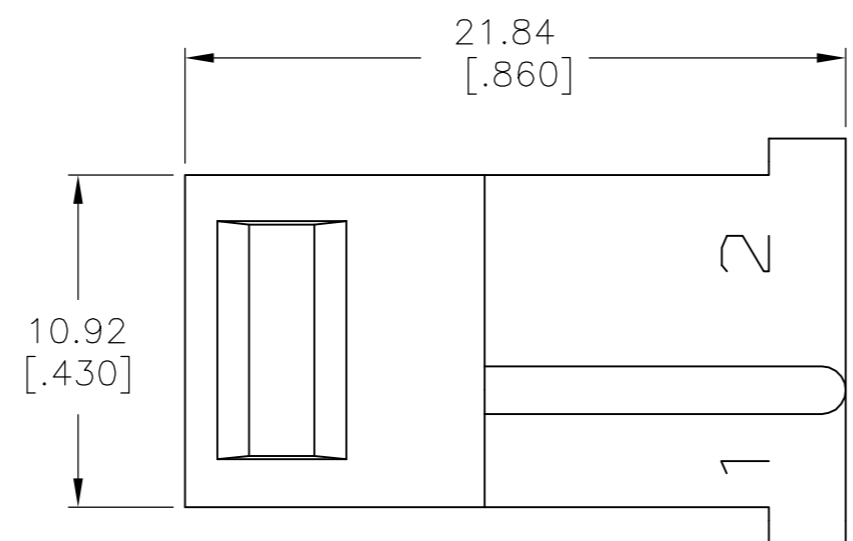
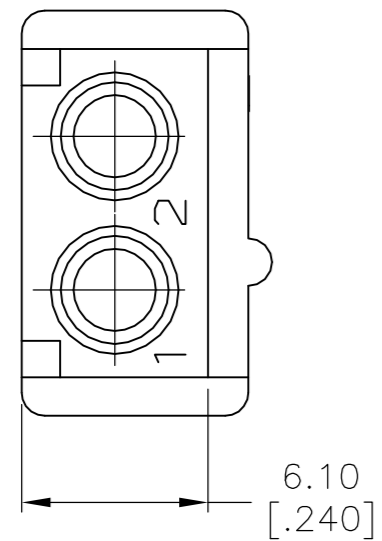


THIS DRAWING IS UNPUBLISHED. RELEASED FOR PUBLICATION
 © COPYRIGHT - By - ALL RIGHTS RESERVED.

LOC		DIST		REVISIONS			
P	LTR	DESCRIPTION		DATE	DWN	APVD	
CM	0	S2		REVISED PER ECR 12-000628	11JAN12	JR	TM

- 1 THIS PLUG TO BE USED WITH CAP NO. 480319.
- 2 TO BE USED WITH APPROPRIATE COMMERCIAL MATE-N-LOK™ SOCKETS.
- 3 DIMENSIONS IN BRACKETS ARE IN INCHES.



3-DIMENSIONAL MODELS
NTS

METRIC

NATURAL UL94V-0	2-480318-0
BLACK UL94V-2	1-480318-9
YELLOW UL94V-2	1-480318-4
NATURAL UL94V-2	1-480318-0
COLOR	PART NUMBER

THIS DRAWING IS A CONTROLLED DOCUMENT.		DWN	K. WHITAKER	04NOV2005	 TE Connectivity							
DIMENSIONS: mm [INCHES]		CHK	D. COLEY	04NOV2005								
TOLERANCES UNLESS OTHERWISE SPECIFIED:		APVD	D. COLEY	04NOV2005								
0 PLC ± - 1 PLC ± - 2 PLC ± 0.13[.005] 3 PLC ± - 4 PLC ± - ANGLES ± - FINISH -		PRODUCT SPEC	NAME			PLUG, 2 CIRCUIT, COMMERCIAL MATE-N-LOK (TM)						
MATERIAL	-	APPLICATION SPEC	-		SIZE	A2	CAGE CODE	00779	DRAWING NO	C=480318	RESTRICTED TO	-
CUSTOMER DRAWING		WEIGHT	-		SCALE	4:1	SHEET	1 of 1	REV	S2		

480318